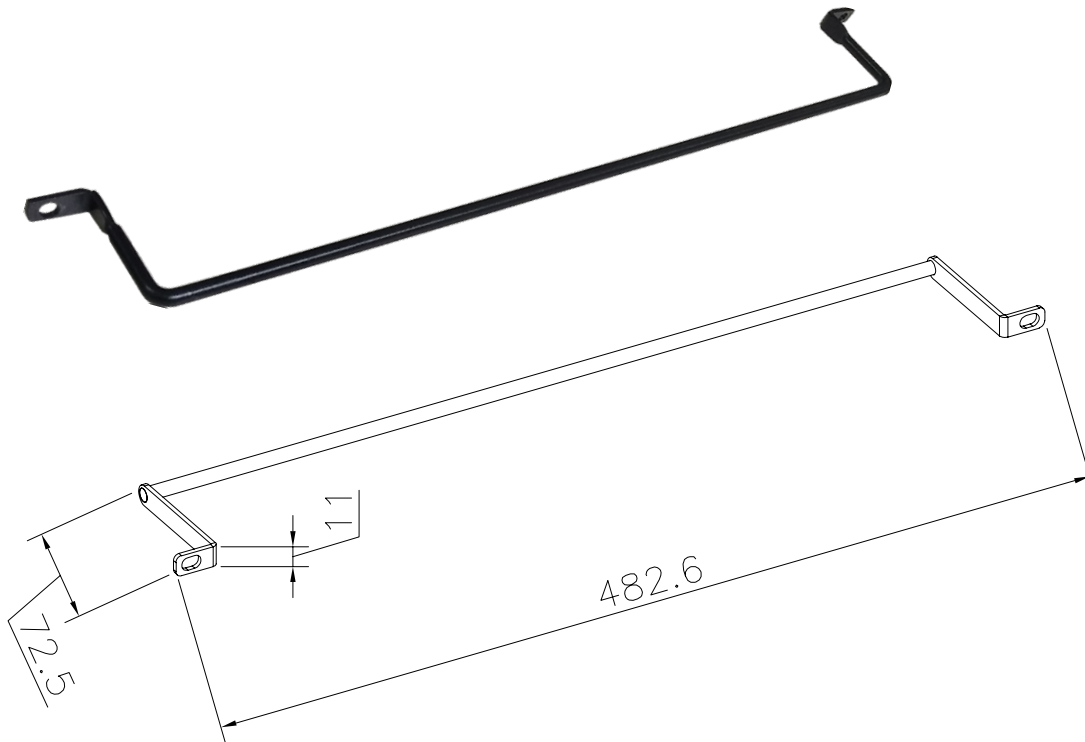


# SSYS-1LB

## Offset Lacing Bar



### FEATURES

- Universal offset lacing bar for all 19" Racks
- Made from strong cold rolled steel to ensure product durability
- A durable black powder coat finish offers enhanced beauty and strength
- Protects your equipment from the weight of wires

### SPECIFICATION

**Dimension (LxDxH):**

482.6mm x 72.5mm x 11mm

**Material:** SPCC Cold Rolled Steel

**Finish:** Black Powder Coat

### DESCRIPTION

The SyncSystem™ Offset Lacing Bar installs horizontally on the front or back of your rack to provide a secure mounting point for you to run cables. You can attach your cables to the lacing bars using cable ties to reduce the tension on your cables and prevent damage to the ports on your rack-mount equipment. The lacing bars feature a 2 in. offset for hassle-free cable access. Constructed with SPCC commercial cold-rolled steel, the sturdy lacing bar ensures long-term durability making it the perfect accessory solution for any environment.

Distributed in Canada by



620 Rowntree Dairy Rd.  
Woodbridge, Ontario L4L 5T8  
1-888-797-7686

401 Rue Locke  
St. Laurent, Que. H4T 1X7  
1-800-361-7349