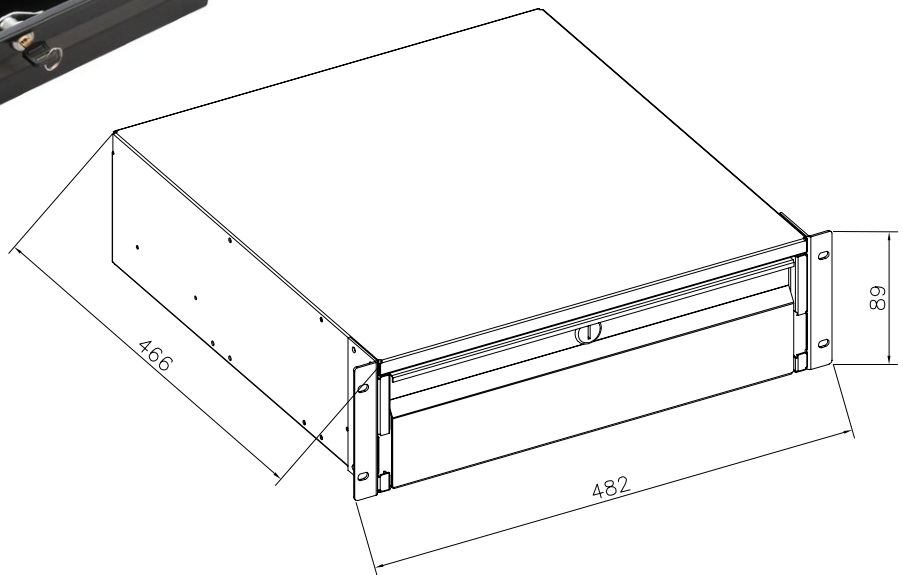


SSYS-DRW2

2U Locking Drawer



FEATURES

- 2U Locking Drawer
- Secures your equipment
- Comes with a lock and 2 keys
- Made from strong cold rolled steel to ensure product durability
- A durable black powder coat finish offers enhanced beauty and strength

SPECIFICATION

Dimension (LxDxH):

482mm x 466mm x 89mm

Material: SPCC Cold Rolled Steel

Finish: Black Powder Coat

DESCRIPTION

The SyncSystem™ 2U Locking Drawer is designed to provide a secure enclosure to store valuable equipment such as networking tools, hardware, cable management supplies, manuals, laptops, patch cables, and more. The 18" drawer provides plenty of room to store valuable equipment and is conveniently supplied with 2 keys in case one is lost. Constructed with SPCC commercial cold-rolled steel, the sturdy cabinet shelf ensures long term durability making it the perfect rack solution for any environment

Distributed in Canada by



620 Rowntree Dairy Rd.
Woodbridge, Ontario L4L 5T8
1-888-797-7686

401 Rue Locke
St. Laurent, Que. H4T 1X7
1-800-361-7349