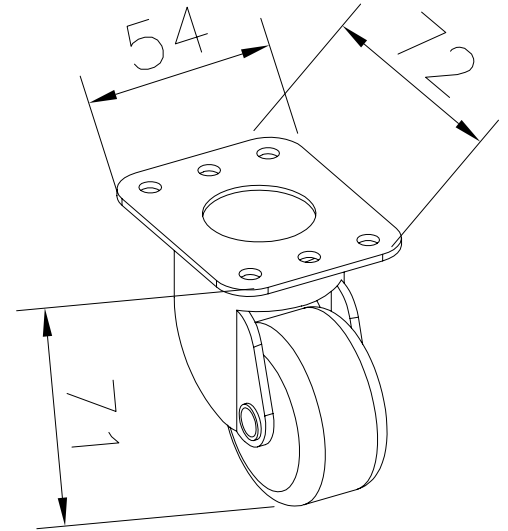


# SSYS-CASTERS

## 2" Casters for Racks 4/Pack



### FEATURES

- 2" Casters (4 Pack)
- Great for replacement & upgrades

### SPECIFICATION

Dimension (LxDxH):  
54mm x 72mm x 71mm

### DESCRIPTION

The SyncSystem™ 2" Casters for Rack are ideal for replacing damaged casters or upgrading a standing rack to a rolling rack for additional mobility.

Distributed in Canada by



620 Rowntree Dairy Rd.  
Woodbridge, Ontario L4L 5T8  
1-888-797-7686

401 Rue Locke  
St. Laurent, Que. H4T 1X7  
1-800-361-7349